



Berkshire Technology Solutions

P.O. Box 92
Wernersville, PA 19565
www.btsdnc.com

Berkshire Technology Solutions Company and Product Overview

August 2010

BTS Company Background

- Formed as a “spin off” of CIMNET and Invensys
 - Founded by Tom Byrne, who has led the DNC business for the two companies (CIMNET and Invensys) since 1999
 - Created to provide a full level of sales and technical support for the loyal CIMNET customer base
- Original DNC capabilities and products retained and improved...a technology refresh is underway
 - The DNC Professional product is the 5th generation of DNC software initially created in 1990
 - Significant Domain expertise and CNC experience are part of the team
 - BTS is providing a full technology refresh for the DNC Professional code base including enhancements and additional operating system and database support

BTS Industries Served

- Installs and Experience in:
 - Discrete assembly and manufacturing
 - Automotive
 - Medical device
 - Metals and Rolled Products
 - Aerospace and Defense
 - Fabrication
 - Job Shops

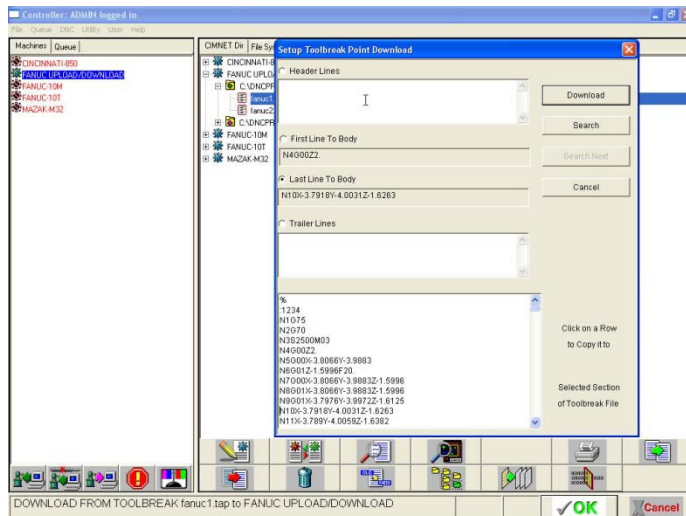
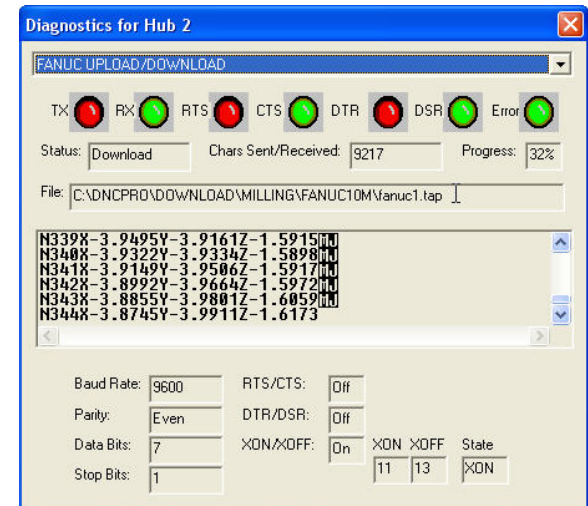


BTS Product Base

- Leading edge DNC software with DNC Professional™
- Add on software for paperless manufacturing using Folders Lite
- Wide range of hardware offerings including:
 - Wireless
 - Serial Hub
 - PCI configuration
 - BTRs
- Growth path to MES offerings from Invensys Operations Management including Wonderware MES 4.0

DNC Professional

- Industry leading software that provides:
 - Upload and download of NC Programs
 - Live machine feedback to operators
 - View, edit and compare programs
 - View drawings and instructions
 - Small to large networked installations

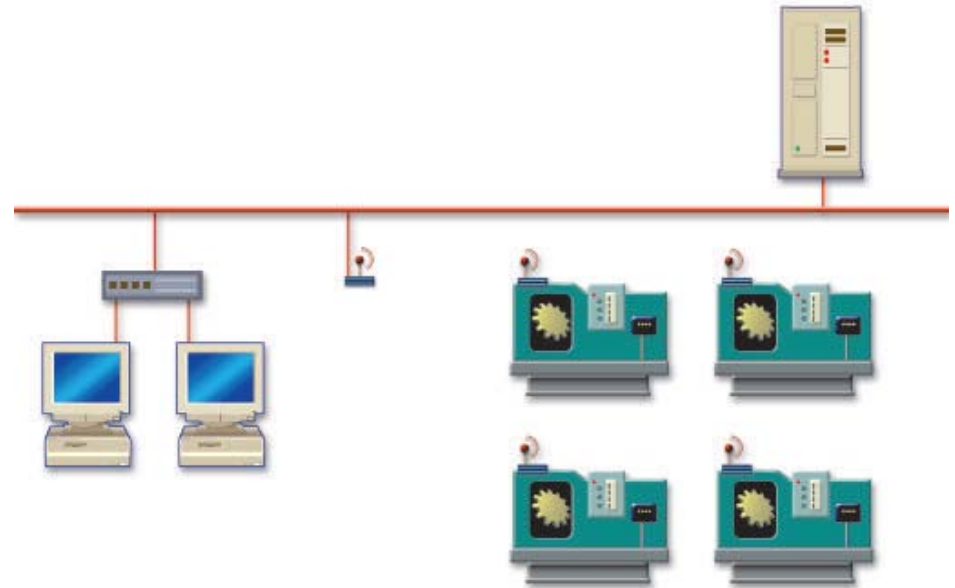


DNC Professional Basic Features

- Controls up to 256 machines tools per PC simultaneously
- Stand alone or open network connectivity
- Initiate DNC from any PC on the network, even from another CNC machine using CNC Direct
- Touch screen support and big button interface for easy operation
- Group CNC part programs in separate directories and assign them to specific CNC machines
- View, edit, and compare part programs or other ASCII files
- Simultaneously upload from or download to any or all devices on the system
- Receive an uploaded file automatically without preparing the DNC system first
- Has flexible start from a tool break
- Initiate uploads and downloads directly from a CNC control using CNC Direct
- Maintain a log of DNC transactions in SQL or Oracle databases

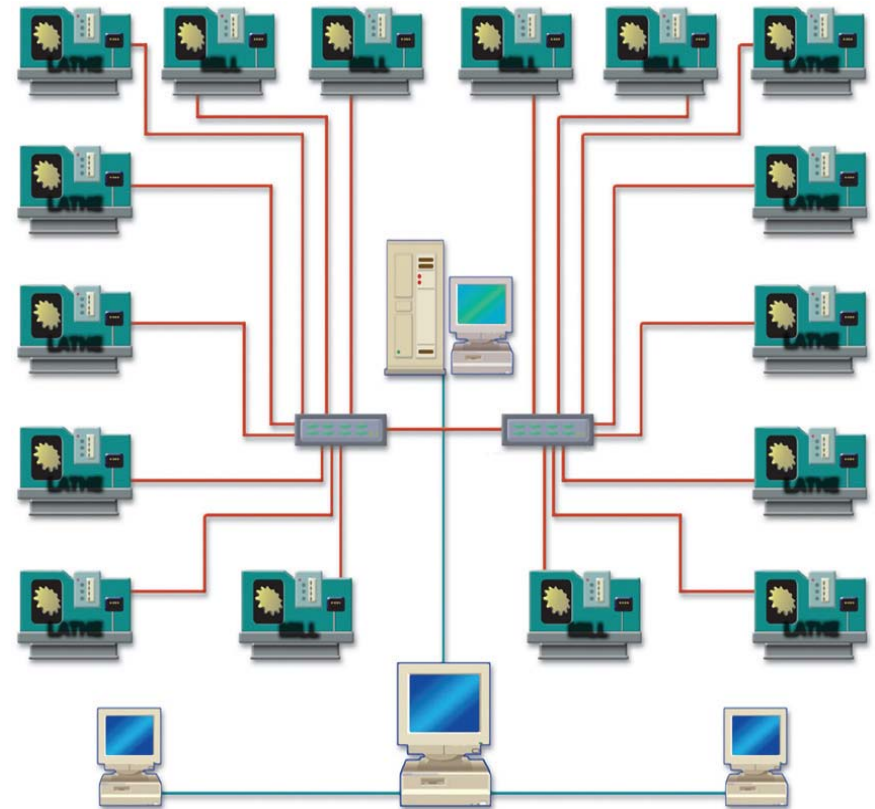
Hardware Options

- Wireless Configuration
 - Eliminate cabling
 - Leverage our wireless devices at each machine
 - Ultimate flexibility and coverage



Hardware Options

- Serial Hub Configuration
 - Hubs distributed throughout the facility
 - Upload or download from a PC or the CNC directly



Hardware Options

- PCI Configuration
 - Add COM ports to an existing PC to allow for centralized management
 - 4 port through 32 port PCI systems available

